

ALWAY

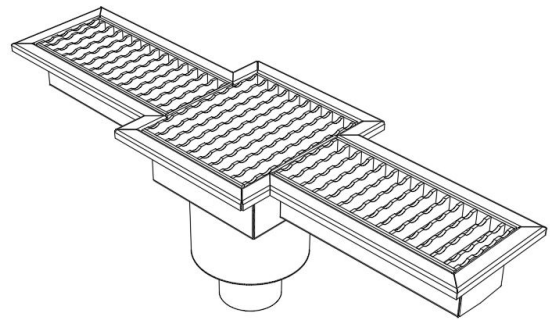
AQUALINE DRAIN CHANNELS

DESCRIPTION

Our range of drain channels are available in a variety of styles, sizes and thicknesses.

They are made with high quality 304 or 316 grade stainless steel at our state of the art production facility.

Our designs focus on creating an easy to clean, self draining and robust product.



TECHNICAL SPECIFICATIONS

- Made from 2mm 304 or 316 grade stainless steel
- Available in light, medium or heavy duty strength and in a variety of styles and sizes.

CLEANING & MAINTENANCE

Our drain channels are easy to clean and maintain.

We recommend regular checks for damage, blockages and fluid build up.

Recommended cleaning methods are steam, water, non abrasive scrubbing and mild detergents.

KEY BENEFITS

All of our products are designed and manufactured in our state of the art production facility by our talented and experienced engineers and fabricators.

- Available in a variety of sizes and styles
- Bespoke design service available
- Designed to be robust and easy to clean
- Ideal for food grade environments
- We offer fitting and installation services
- Maintenance and inspection contracts can be arranged
- Easy to clean and maintain